



**GOOF-PROOF WARRANTY PROCEDURE:**

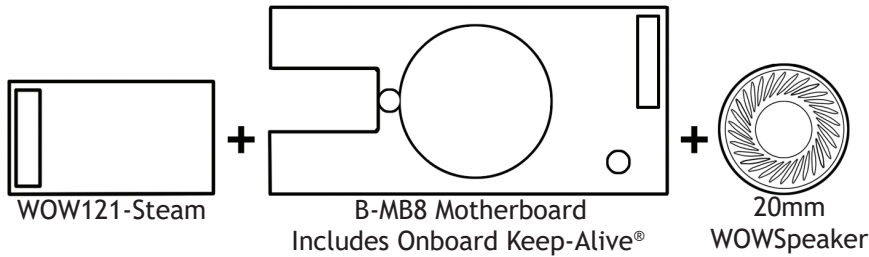
All decoders are covered by a one year, goof proof, warranty.  
You **MUST** register the failed decoder on our website at [www.tcsdcc.com](http://www.tcsdcc.com).  
Follow the instructions on the web site before returning any decoders to TCS.  
Please return in a small box.

# WOWKits

1922 (WSK-BAC-8)	Scale	Functions	Function Rating	Continuous/Peak
	HO	8	100 mA	1.3 /2.0 Amp

## HO-Scale Bachmann DCC Sound Conversion Kit

Included in this WOWKit:



This WOWKit will fit the following Bachmann engines:

Spectrum 4-6-0

WOWKits provide everything needed for a complete sound installation. Each WOWKit has been **engineered** for a **perfect fit** to provide you with **Easy, Clean, Professional** results.

**WOWSound is the only Load-Based Auto-Notching DCC sound decoder.**

**Audio Assist®** (Patent Pending) for easy configuration of your decoder.

Enjoy the awesome, CD-Quality, WOWSound experience!



**GOOF-PROOF WARRANTY PROCEDURE:**

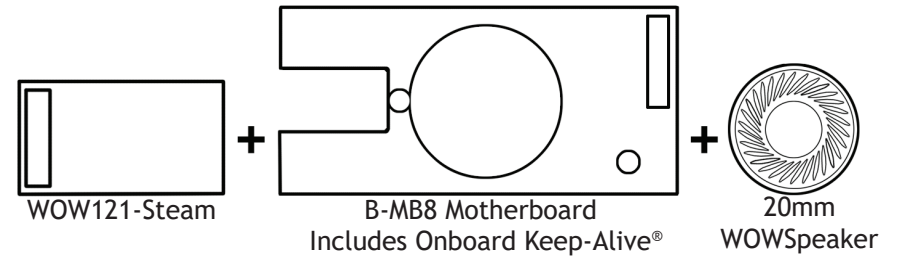
All decoders are covered by a one year, goof proof, warranty.  
You **MUST** register the failed decoder on our website at [www.tcsdcc.com](http://www.tcsdcc.com).  
Follow the instructions on the web site before returning any decoders to TCS.  
Please return in a small box.

# WOWKits

1922 (WSK-BAC-8)	Scale	Functions	Function Rating	Continuous/Peak
	HO	8	100 mA	1.3 /2.0 Amp

## HO-Scale Bachmann DCC Sound Conversion Kit

Included in this WOWKit:



This WOWKit will fit the following Bachmann engines:

Spectrum 4-6-0

WOWKits provide everything needed for a complete sound installation. Each WOWKit has been **engineered** for a **perfect fit** to provide you with **Easy, Clean, Professional** results.

**WOWSound is the only Load-Based Auto-Notching DCC sound decoder.**

**Audio Assist®** (Patent Pending) for easy configuration of your decoder.

Enjoy the awesome, CD-Quality, WOWSound experience!



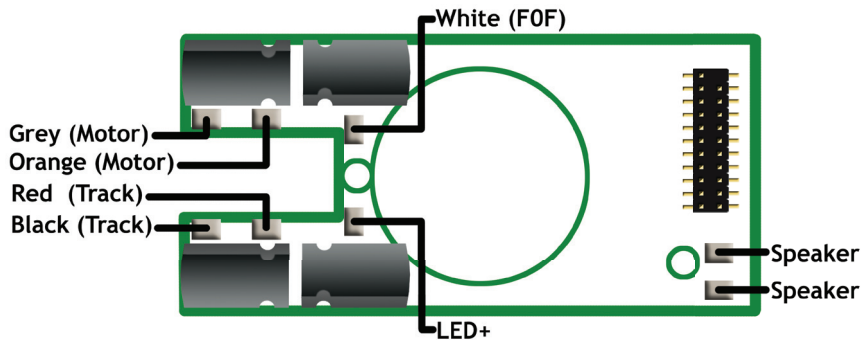
### Default Decoder Button Uses

Function Button	Feature	Function Button	Feature
0	Generator	10	Johnson Bar Down
1	Bell	11	Johnson Bar Up
2	Whistle - Long Toot	12	Injector
3	Whistle - Short Toot	13	Air Pump
4	Whistle - Pre-Recorded Quill	14	Blower
5	Cylinder Cocks	15	Idling Sounds
6	Brake Release	16	Horn
7	Apply Brakes (20% Per Press)	17	Shovelling
8	1x Press: Mute/Unmute 2x Presses: Toggle light & sound mode 4x Presses: Enter <b>Audio Assist</b> ®	18	Blow Down
9	Rotate Whistle/Bell		

### Default Decoder Button Uses

Function Button	Feature	Function Button	Feature
0	Generator	10	Johnson Bar Down
1	Bell	11	Johnson Bar Up
2	Whistle - Long Toot	12	Injector
3	Whistle - Short Toot	13	Air Pump
4	Whistle - Pre-Recorded Quill	14	Blower
5	Cylinder Cocks	15	Idling Sounds
6	Brake Release	16	Horn
7	Apply Brakes (20% Per Press)	17	Shovelling
8	1x Press: Mute/Unmute 2x Presses: Toggle light & sound mode 4x Presses: Enter <b>Audio Assist</b> ®	18	Blow Down
9	Rotate Whistle/Bell		

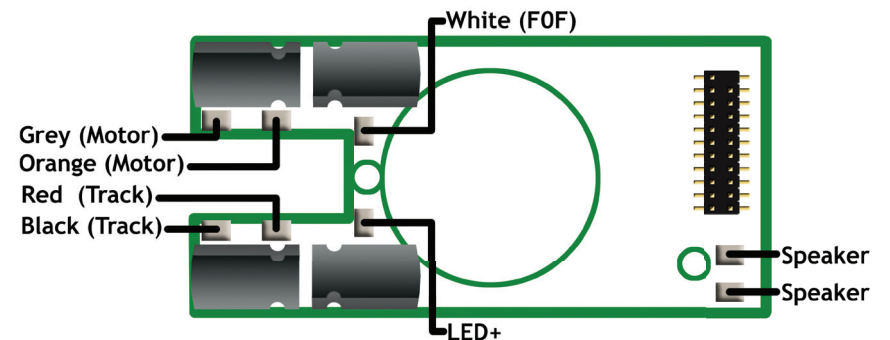
### B-MB8 Motherboard Wiring Diagram



NOTE: All lighting outputs have built-in resistors for LED's

For complete installation images and full documentation visit our website at [www.tcsdcc.com](http://www.tcsdcc.com)

### B-MB8 Motherboard Wiring Diagram



NOTE: All lighting outputs have built-in resistors for LED's

For complete installation images and full documentation visit our website at [www.tcsdcc.com](http://www.tcsdcc.com)