



GOOF-PROOF WARRANTY PROCEDURE:

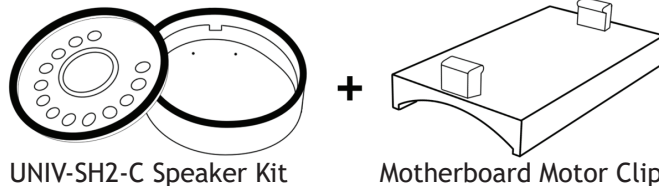
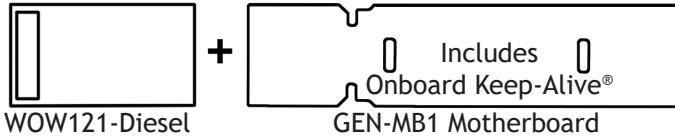
All decoders are covered by a one year, goof proof, warranty.
You **MUST** register the failed decoder on our website at www.tcsdcc.com.
Follow the instructions on the web site before returning any decoders to TCS.
Please return in a small box.

WOWKits

1753 (WDK-ATH-9)	Scale	Functions	Function Rating	Continuous/Peak
	HO	8	100 mA	1.3 /2.0 Amp

HO-Scale Athearn DCC Sound Conversion Kit

Included in this WOWKit:



This WOWKit will fit the following Athearn engines:

Genesis F9A

WOWKits provide everything needed for a complete sound installation. Each WOWKit has been engineered for a perfect fit to provide you with Easy, Clean, Professional results.

WOWSound is the only Load-Based Auto-Notching DCC sound decoder.

Enjoy the awesome, CD-Quality, WOWSound experience!

Audio Assist® (Patent Pending) for easy decoder configuration



GOOF-PROOF WARRANTY PROCEDURE:

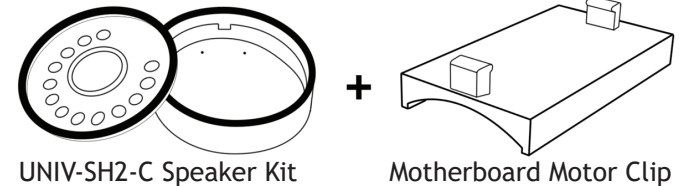
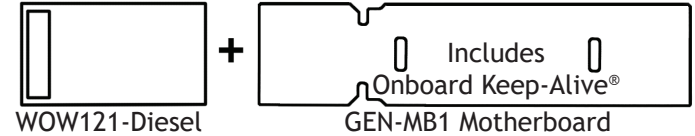
All decoders are covered by a one year, goof proof, warranty.
You **MUST** register the failed decoder on our website at www.tcsdcc.com.
Follow the instructions on the web site before returning any decoders to TCS.
Please return in a small box.

WOWKits

1753 (WDK-ATH-9)	Scale	Functions	Function Rating	Continuous/Peak
	HO	8	100 mA	1.3 /2.0 Amp

HO-Scale Athearn DCC Sound Conversion Kit

Included in this WOWKit:



This WOWKit will fit the following Athearn engines:

Genesis F9A

WOWKits provide everything needed for a complete sound installation. Each WOWKit has been engineered for a perfect fit to provide you with Easy, Clean, Professional results.

WOWSound is the only Load-Based Auto-Notching DCC sound decoder.

Enjoy the awesome, CD-Quality, WOWSound experience!

Audio Assist® (Patent Pending) for easy decoder configuration



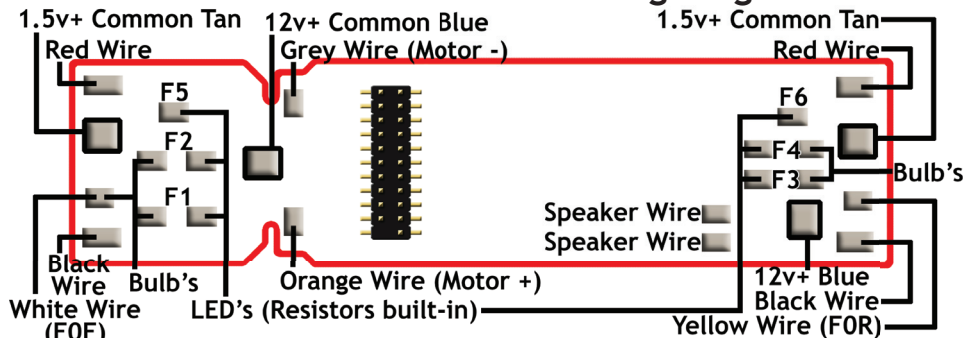
Default Decoder Button Uses

Function Button	Feature	Function Button	Feature
1	Bell	10	Manual Notch Up
2	Horn - Long Toot	11	Manual Notch Down
3	Horn - Short Toot	12	Prime Mover On/Off
4	Horn - Quill	13	Coupling Sound
5	Dynamic Brakes	14	Uncoupling Sound
6	Brake Release	15	Mainline/Switching Momentum
7	Train Brake (20% Per Press)	16	Crew Alert On/Off
8	1x Press: Mute/Unmute 2x Presses: Toggle light & sound mode 4x Presses: Enter Audio Assist®	17	Windshield Wipers
9	Rotate Horn/Bell	18	Airspitter

Default Decoder Button Uses

Function Button	Feature	Function Button	Feature
1	Bell	10	Manual Notch Up
2	Horn - Long Toot	11	Manual Notch Down
3	Horn - Short Toot	12	Prime Mover On/Off
4	Horn - Quill	13	Coupling Sound
5	Dynamic Brakes	14	Uncoupling Sound
6	Brake Release	15	Mainline/Switching Momentum
7	Train Brake (20% Per Press)	16	Crew Alert On/Off
8	1x Press: Mute/Unmute 2x Presses: Toggle light & sound mode 4x Presses: Enter Audio Assist®	17	Windshield Wipers
9	Rotate Horn/Bell	18	Airspitter

GEN-MB1 Motherboard Wiring Diagram



For 1.5v Bulbs: Use the F0F and F0R pads and the 1.5v+ pads.

For functions F1-F4 use the bulb pads and the 1.5v+ pad.

For LED's: For functions F1-F4 use the LED pads and the 12v+ pad.

F5 and F6 are LED only so use their pads and the 12v+ pad.

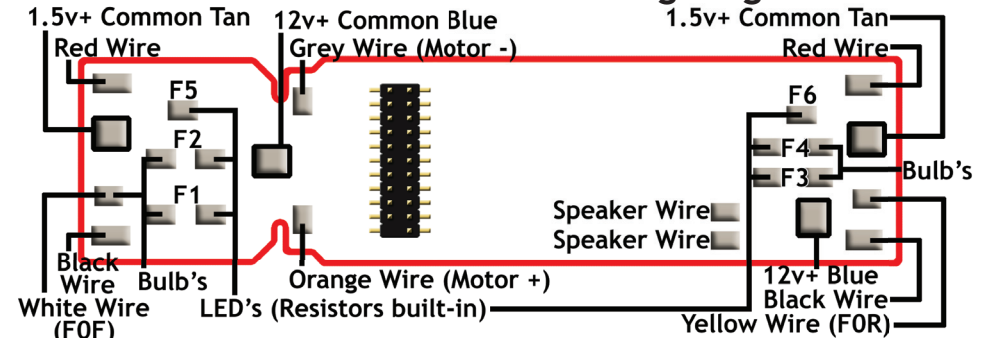
F0F and F0R are 1.5v bulb ONLY use F1 and F2 as FL and RL if you need LED's.

Resistors are onboard for F1-F6.

Includes onboard 1.5v power supply for 1.5v bulbs
and built-in resistors for LED's

For complete installation images and
full documentation visit our website at
www.tcsdcc.com

GEN-MB1 Motherboard Wiring Diagram



For 1.5v Bulbs: Use the F0F and F0R pads and the 1.5v+ pads.

For functions F1-F4 use the bulb pads and the 1.5v+ pad.

For LED's: For functions F1-F4 use the LED pads and the 12v+ pad.

F5 and F6 are LED only so use their pads and the 12v+ pad.

F0F and F0R are 1.5v bulb ONLY use F1 and F2 as FL and RL if you need LED's.

Resistors are onboard for F1-F6.

Includes onboard 1.5v power supply for 1.5v bulbs
and built-in resistors for LED's

For complete installation images and
full documentation visit our website at
www.tcsdcc.com