



**GOOF-PROOF WARRANTY PROCEDURE:**

All decoders are covered by a one year, goof proof, warranty.  
You **MUST** register the failed decoder on our website at [www.tcsdcc.com](http://www.tcsdcc.com).  
Follow the instructions on the web site before returning any decoders to TCS.  
Please return in a small box.

# WOWKits

1770 (WDK-ATH-3)	Scale	Functions	Function Rating	Continuous/Peak
	HO	8	100 mA	1.3 /2.0 Amp

## HO-Scale Athearn DCC Sound Conversion Kit

Included in this WOWKit:



WOW121-Diesel

GEN-MB1 Motherboard  
Includes Onboard Keep-Alive®

UNIV-SH1-C  
Speaker Kit

This WOWKit will fit the following Athearn engines:

EMD F2, F3, F7, F45	EMD SD70I
EMD FP45	EMD SD70M
EMD SD45 /SDP45	EMD SD70MAC
EMD SD45-2	EMD SD75M
EMD SD70	EMD SD75I

WOWKits provide everything needed for a complete sound installation. Each WOWKit has been engineered for a perfect fit to provide you with Easy, Clean, Professional results.

WOWSound is the only Load-Based Auto-Notching DCC sound decoder.

Enjoy the awesome, CD-Quality, WOWSound experience!

Audio Assist® (Patent Pending) for easy decoder configuration



8 79508 00638 4



**GOOF-PROOF WARRANTY PROCEDURE:**

All decoders are covered by a one year, goof proof, warranty.  
You **MUST** register the failed decoder on our website at [www.tcsdcc.com](http://www.tcsdcc.com).  
Follow the instructions on the web site before returning any decoders to TCS.  
Please return in a small box.

# WOWKits

1770 (WDK-ATH-3)	Scale	Functions	Function Rating	Continuous/Peak
	HO	8	100 mA	1.3 /2.0 Amp

## HO-Scale Athearn DCC Sound Conversion Kit

Included in this WOWKit:



WOW121-Diesel

GEN-MB1 Motherboard  
Includes Onboard Keep-Alive®

UNIV-SH1-C  
Speaker Kit

This WOWKit will fit the following Athearn engines:

EMD F2, F3, F7, F9, F45	EMD SD70I
EMD FP7, FP45	EMD SD70M
EMD SD45 /SDP45	EMD SD70MAC
EMD SD45-2	EMD SD75M
EMD SD70	EMD SD75I

WOWKits provide everything needed for a complete sound installation. Each WOWKit has been engineered for a perfect fit to provide you with Easy, Clean, Professional results.

WOWSound is the only Load-Based Auto-Notching DCC sound decoder.

Enjoy the awesome, CD-Quality, WOWSound experience!

Audio Assist® (Patent Pending) for easy decoder configuration



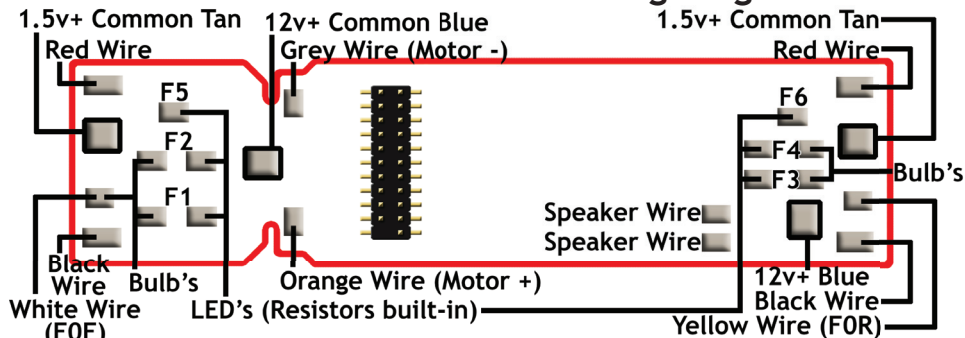
8 79508 00638 4



## Default Decoder Button Uses

Function Button	Feature	Function Button	Feature
1	Bell	10	Manual Notch Up
2	Horn - Long Toot	11	Manual Notch Down
3	Horn - Short Toot	12	Prime Mover On/Off
4	Horn - Quill	13	Coupling Sound
5	Dynamic Brakes	14	Uncoupling Sound
6	Brake Release	15	Mainline/Switching Momentum
7	Train Brake (20% Per Press)	16	Crew Alert On/Off
8	1x Press: Mute/Unmute 2x Presses: Toggle light & sound mode 4x Presses: Enter Audio Assist®	17	Windshield Wipers
9	Rotate Horn/Bell	18	Airspitter

### GEN-MB1 Motherboard Wiring Diagram



For 1.5v Bulbs: Use the F0F and F0R pads and the 1.5v+ pads.

For functions F1-F4 use the bulb pads and the 1.5v+ pad.

For LED's: For functions F1-F4 use the LED pads and the 12v+ pad.

F5 and F6 are LED only so use their pads and the 12v+ pad.

F0F and F0R are 1.5v bulb ONLY use F1 and F2 as FL and RL if you need LED's.

Resistors are onboard for F1-F6.

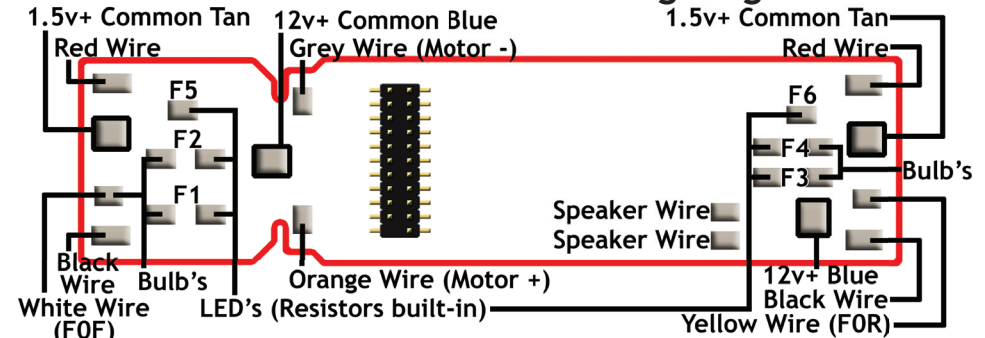
Includes onboard 1.5v power supply for 1.5v bulbs  
and built-in resistors for LED's

For complete installation images and  
full documentation visit our website at  
[www.tcsdcc.com](http://www.tcsdcc.com)

## Default Decoder Button Uses

Function Button	Feature	Function Button	Feature
1	Bell	10	Manual Notch Up
2	Horn - Long Toot	11	Manual Notch Down
3	Horn - Short Toot	12	Prime Mover On/Off
4	Horn - Quill	13	Coupling Sound
5	Dynamic Brakes	14	Uncoupling Sound
6	Brake Release	15	Mainline/Switching Momentum
7	Train Brake (20% Per Press)	16	Crew Alert On/Off
8	1x Press: Mute/Unmute 2x Presses: Toggle light & sound mode 4x Presses: Enter Audio Assist®	17	Windshield Wipers
9	Rotate Horn/Bell	18	Airspitter

### GEN-MB1 Motherboard Wiring Diagram



For 1.5v Bulbs: Use the F0F and F0R pads and the 1.5v+ pads.

For functions F1-F4 use the bulb pads and the 1.5v+ pad.

For LED's: For functions F1-F4 use the LED pads and the 12v+ pad.

F5 and F6 are LED only so use their pads and the 12v+ pad.

F0F and F0R are 1.5v bulb ONLY use F1 and F2 as FL and RL if you need LED's.

Resistors are onboard for F1-F6.

Includes onboard 1.5v power supply for 1.5v bulbs  
and built-in resistors for LED's

For complete installation images and  
full documentation visit our website at  
[www.tcsdcc.com](http://www.tcsdcc.com)