



Our Famous GOOF PROOF Warranty

1615 RTR-MB1

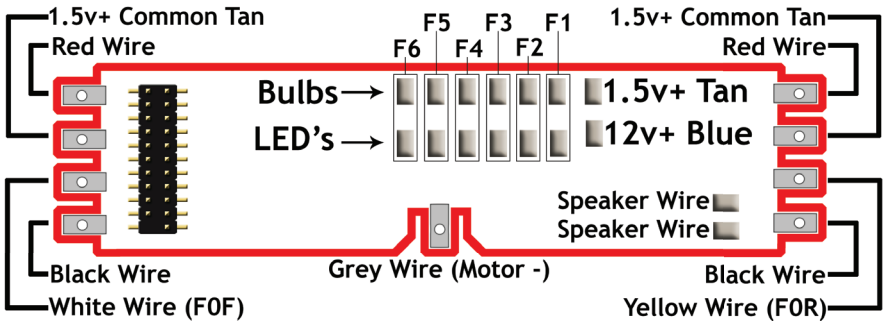
Scale	Pairs well with
HO	WOW121-Diesel and EU621

Dimensions 2.84"x0.66"x0.55" or 72mm x 17mm x 13.9mm

This motherboard is designed to replace the original lighting board in the Athearn Ready-To-Roll diesel locomotives. Included on this motherboard is a KA2 Keep-Alive™ for smooth operation over troublesome tracks. Pair with a WOW121 for unparalleled sound and interruption free performance.

NOTE: This product does not function without a 21-pin decoder.

WIRING DIAGRAM



For 1.5v Bulbs: Use the F0F and F0R pads and the 1.5v+ pads.

For functions F1-F6 use the bulb pads and the 1.5v+ pad.

For LED's: Use the F0F and F0R pads, an external resistor, and the 12v+ pad.

For functions F1-F6 use the LED pads and the 12v+ pad.

Resistors are onboard for F1-F6.

For full installation instruction visit the

http://www.tcsdcc.com/HO_Installs



1615 RTR-MB1

WARRANTY PROCEDURE: All decoders are covered by a one year, goof proof, warranty. **Please return in a small box.**

1. You **MUST** register the failed decoder on our website at www.tcsdcc.com. If you do not have access to a computer you **MUST** call to register your warranty at: **(267) 733-3408**
2. Print out a copy of the Warranty Registration and include it in the box with the decoder(s).
3. Return decoder(s) directly to us using the address below.

Compatible with NMRA DCC standards.

Made by **TCS** in the USA.

© Copyright Train Control Systems 2004-2008

Train Control Systems
P.O. Box 341
845 Blooming Glen Rd.
Blooming Glen, PA 18911



Phone **215-453-9145**
Fax **215-257-0735**
Email tcs@tcsdcc.com
Web www.tcsdcc.com