



Our Famous GOOF PROOF NO Questions Asked Warranty

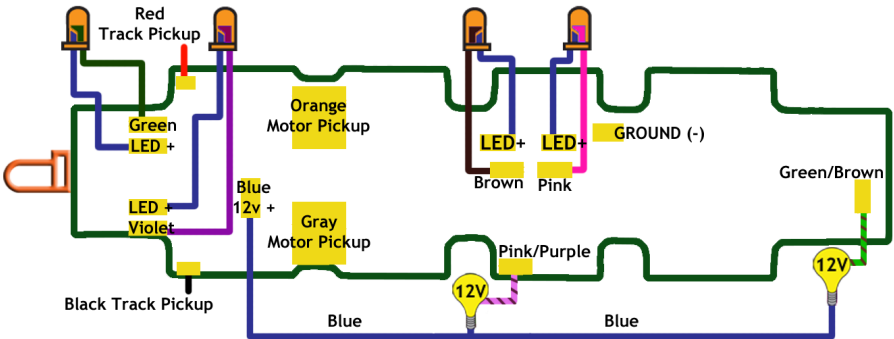
2015 **KOD8-F**

Scale	Functions	Function Rating	Continuous/Peak
N	8	80 mA	1.0 /2.0 Amp

Dimensions: 2.138"x0.542"x0.068" or 54.32mm x 13.766mm x 1.73mm

This full featured BEMF decoder is designed to fit the Kato N-Scale EMD FP7A locomotive. Included is our auto-adjusting BEMF for outstanding slow speed performance and hassle free set up. Also includes Quiet Drive for super quiet engine performance.

WIRING DIAGRAM



INSTALLATION

For detailed installation pictures visit our website where we maintain a constantly growing database of a wide range of locomotives and decoders.



2015 **KOD8-F**

Main Features of this Decoder

Back EMF Load Compensation for superior slow speed control even with heavy loads.

- **Quiet Drive** creates SUPER QUIET engine performance.
- **Autodetect** for realistic throttle response when using DC power.
- **Dimmed Brightness** of bulbs or LEDs is adjustable.
- **Variable Momentum** lets you make custom acceleration curves.
- **Ditch Lights: control alternating ditch lights with realistic pulsing.**
- **Mars, Gyra, and Rotary Beacon** are adjustable.
- **Decoder Lock** for programming same address decoders independently.
- **Function Remapping:** 13 buttons for most lights, 7 buttons for operations.

Other Features of This Decoder: This decoder has too many features that could be listed on this page. For the complete list of available features, print out the “Additional Programming Guide” that can be found in the literature section of our website (www.tcsdcc.com). Some of the features include: Function Remapping, 3 Point Acceleration/Deceleration Curves, Button Control of the Motor, Loadable Speed Tables, Various lighting effects, decoder lock and many more.

WARRANTY PROCEDURE: All decoders are covered by a one year goof proof, no questions asked warranty. **Please return in a small box.**

1. You MUST register the failed decoder on our website at www.tcsdcc.com.
If you do not have access to a computer you MUST call to register your warranty at: **(267) 733-3408**
2. Print out a copy of the Warranty Registration and include it in the box with the decoder(s).
3. Return decoder(s) directly to us using the address below.

Compatible with NMRA DCC standards.

Made by TCS in the USA.

Train Control Systems
P.O. Box 341
845 Blooming Glen Rd.
Blooming Glen, PA 18911



Phone **215-453-9145**
Fax **215-257-0735**
Email tcs@tcsdcc.com
Web www.tcsdcc.com